



DELTEC LEOS 200/300



INTRODUCTION

DELTEC LEOS 200/300, the 3D metrology machine for your measures

DPM: a unique system to detect various parts by shape learning.

This machine is fitted with all of the tools you need for your tridimensional metrology (software and 3D structure).

- The LEOS machine is compatible with all kinds of parts (for car, mechanical, electronic, pharmaceutical industries, and so on...), and all supports (metal, plastic, rubber, glass...)
- Suitable for all controls :
 - ✓ First part,
 - ✓ Process,
 - ✓ Laboratory,
 - ✓ At entrance,
 - ✓ At exit,
 - ✓ During production ...
- Suitable to manage multiple sensors :
 - ✓ Vision
 - ✓ Touch probe
 - ✓ « Confocal » technology
- Programming by self-learning
- Automatic control of a single part or multi parts, by step and repeat.

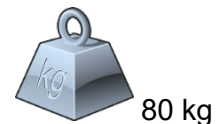
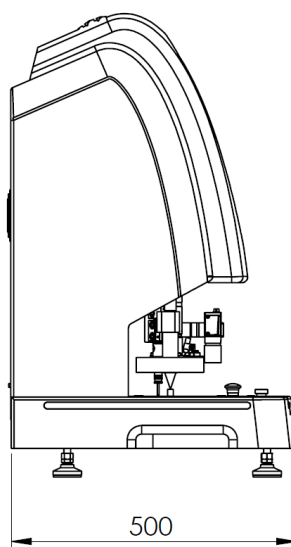
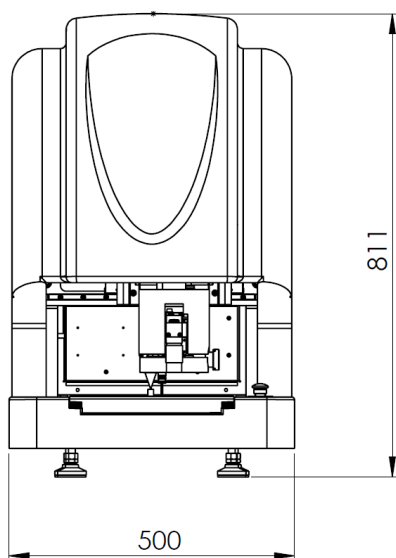


TECHNICAL DESCRIPTION OF THE MACHINE

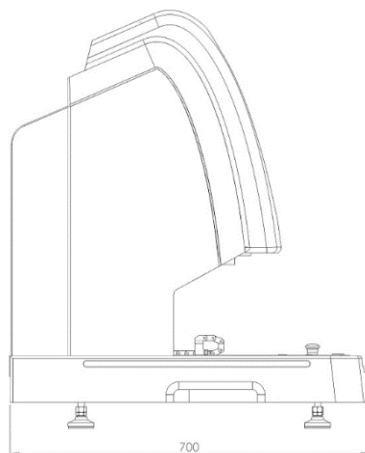
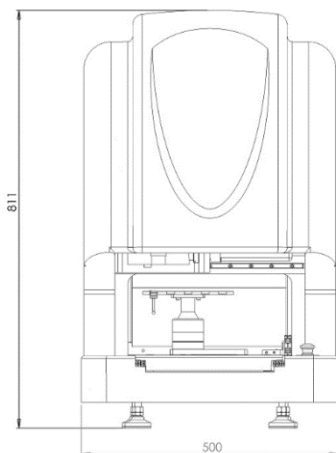
Mechanical structure

- Structure made of aluminum alloys
- Crossed rollers guides
- Measurement capabilities (L, W, H): 200 x 200 x 150 mm or 200 x 300 x 150 mm
- Loading up to 5 kg
- Resolution of the rules: 0.5 μm
- X, Y, Z speeds: 50 mm/s maximum

LEOS 200



LEOS 300



Vision

- Latest technology Gigabit Ethernet camera (GiGe) 1.3 MP



- Working distance: 89 mm (without additional lens)
- Free working distance : 55 mm (without additional lens)
- 6 positions motorized zoom
- Magnification: X30 to X200 (full screen 24")
- Optional second camera, with extended field of view for an automatic control of parts
- Positioning eased thanks to a laser beam
- Programmable lightings:
 - Episcopic/Surface (8 sectors)
 - Coaxial
 - Diascopic/Substage

Computer

- Intel® Core™ i5- 4 Go, HDD, 300 Go minimum
- 2 LCD screens 22"
- OS Windows® 7 – 32 bits
- Software: DELTEC SUITE V9

Renishaw touch probe (option)

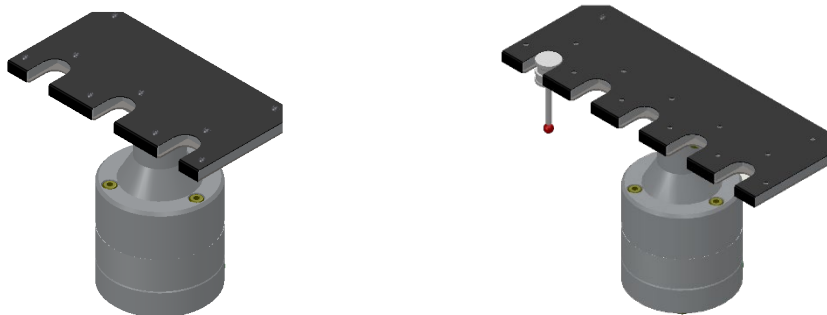
Renishaw® TP200 touch probe. Includes :

- PH6 probing head
- PI200 probe interface
- TP200 touch probe
- 1 module (SF)
- 1 styli to be defined (default stylus diameter 1 mm / length 20 mm).



Stylus changer rack with 3 or 5 positions (option available on LEOS 300 only)

- Stylus changer rack on the table.
- Automatic loading / unloading
- Using vision and sensor measures in the same program is possible.



PERFORMANCES OF THE MACHINE

Accuracy of measurements

XY E2: $(2.5 + 4 L/1000) \mu\text{m}$ (vision, touch probe)

Z E1: $(4 + 4 L/1000) \mu\text{m}$ (vision)

Z E1: $(2.5 + 4 L/1000) \mu\text{m}$ (touch probe)

ISO 10360-7 at 20°C, L=Length in mm

Conditions of use

Power supply: 110/220V, 50/60Hz 1200VA

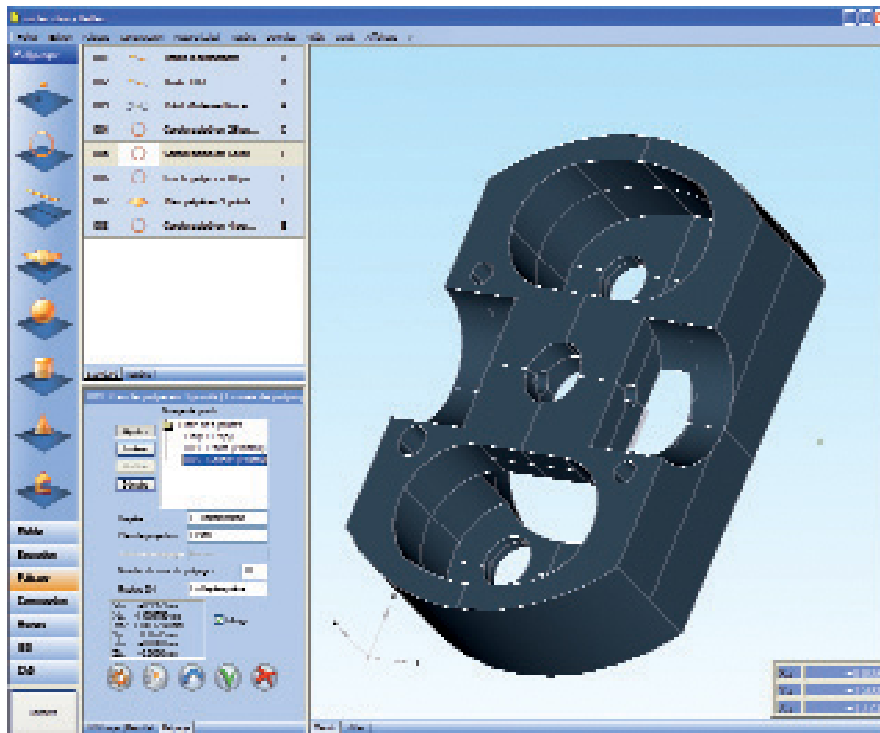
Temperature of use: 15°C to 25°C

Recommended temperature of use for accurate measurements: 20°C +/-1°C

Humidity: 70% max



THE « Deltec Suite » SOFTWARE



« DELTEC Suite V9 » runs with MS Windows® 7 environment

« DELTEC Suite V9 » is fitted with various tools for backup, edit and automatic executing of control programs.

The results may be analyzed via control reports, and directly exported into Microsoft Excel®, text or XML files.

« DELTEC Suite V9 » is fitted with a “SPC” program, that allows display and printing of histograms, individual value charts, means and standard deviations...

- 2 screens for simplicity
- Possibility to use of several sensors in a program : vision, probing and Confocal
- External data acquisition (caliper, micrometer, ...)
- Lighting devices and zoom are managed by software, video scanning and image capture
- Complete library of various tools (mathematics, geometrics, 2D and 3D)
- CNC controlled, XYZ positioning by joystick



PRICES

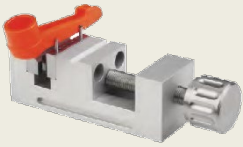
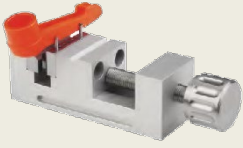
Please refer to "PRICE LIST AGENT" document for last prices

Reference	Description	Unit price	quantity	Total price
SA-LEO200	LEOS 200	35 550.00 €	1	35 550.00 €
SA-LEO300	LEOS 300	38 550.00 €	1	38 550.00 €
SA-PR-TR10	Packing ready (LEOS 200/300) (Transport not included)	410.00 €	1	410.00 €
SA-PR-IN01	Installation – starting up - calibration	1 200.00 €	1	1 200.00 €
SA-FORM-DEL	Training for DELTEC programing (3 persons max)	1 000.00 €	2	2 000.00 €
SA-PR-DEPL	Travel expenses	xxxxx €		xxxxx €
Options				
SA-DEL-BICAM	2 nd camera with extended field for automatic detection of parts Included DPM function : automatic alignment by pattern self-learning	4 480.00 €	1	4 480.00 €
SA-DEL-TP200	Kit touch probe : PH6 head / Interface PI200 / Touch Probe TP200 / 1 x standard force module / 1 x stylus (dimension to be defined)	6 490.00 €	1	6 490.00 €
SA-DEL-SCR3P	Automatic stylus changer rack - 3 positions	1600.00 €	1	1600.00 €
SA-DEL-SCR5P	Automatic stylus changer rack - 5 positions	2000.00 €	1	2000.00 €



				
SA-DEL-AXEW	W axis - Rotary indexer 	4 500.00 €	1	4 500.00 €
SA-DEL-MDK200	DK basic clamping set 	840.00 €	1	840.00 €
SA-BUR-MARB1	Granite 800x500x850 MM + bracket frame 	1 200.00 €	1	1 200.00 €
SA-BUR-DESKTOP1	Desktop 120 x 80 mm + bracket (computer)  Photo non contactuel	390.00 €	1	390.00 €
SA-ACC-DOUC1	USB barcode reader 	190.00 €	1	190.00 €
SA-ACC-ETAU15	Mini Vice Length/Height 15 mm, Span 14.5 mm	160.00 €	1	160.00 €



				
SA-ACC-ETAU35	<p>MINI VICE Length/Height 35 mm, Span 34.5 mm</p> 	290.00 €	1	290.00 €

