

LASER MARKING SYSTEMS



Operating Instructions

DFL *Ventus* Marker Economy *Fibre*

OEM Version
Laser Device Class 4

Mark your territory...

This product conforms to the requirements of the Machinery Directive 2006/42/EC.
The CE symbol is located on the type plate.

Manufacturer: ACI Laser GmbH
Steinbrüchenstraße 14
D-99428 Grammetal OT Nohra
Germany

Phone: +49 3643 4152-0
Fax: +49 3643 4152-77
info@ACI-Laser.de
www.ACI-Laser.de

We are constantly working on further developments.

Therefore, please understand that we must reserve the right to change the scope of the delivery in respect of the form, equipment and technology at any time.

Reprinting, copying or translating this document in whole or in part is forbidden without the express written permission of ACI Laser GmbH!

All rights under the copyright laws are expressly reserved by ACI Laser GmbH.

The manufacturer shall only be responsible for the safety characteristics of this device within the scope of the legally applicable regulations if it is operated by the user in accordance with the operating instructions and repaired by ACI Laser GmbH itself or someone appointed by and acting under the instructions of ACI Laser GmbH.

Last update: 02/2019-02

© ACI Laser GmbH

Table of Contents

1	Introduction	7
2	Important Information	7
2.1	Intended Use	8
2.2	Improper Use	9
2.3	Notices in the Document	9
2.4	Warranty	11
2.5	Technical Customer Service	12
3	Safety	13
3.1	Basic Safety Instructions	13
	Functional safety	13
	Laser class	13
	Emissions	14
	General	15
	Initial start-up	15
	Operation	16
	Maintenance/Care	16
3.2	Labels at the Device	17
	Warning notices	17
	Type plates	18
4	Description	19
4.1	Overview	19
4.2	Views of the Device	20
	Laser head view	20
	Supply unit view	21
4.3	Intended Purpose	22
4.4	Principle of Operation	23
	Fiber laser beam generation	24
	Laser Safety Device (SD)	24

Table of Contents

4.5	Technical Data	26
	Laser device	26
	Connection values	26
	Interfaces	26
	Scan unit	27
	Focusing objectives (optional)	27
	Dimensions and weight	28
	Operation and storage conditions	29
4.6	Scope of Delivery	30
5	Installation	31
5.1	Unpacking	31
5.2	Mechanical Installation	33
	Assembly of the laser head to the plant	34
	Assembly of the laser head to the supply unit	35
	Focusing	36
	Adjusting the focus finder	37
5.3	Marking Software Installation	38
	Minimum hardware requirements	38
	Installation	38
5.4	Electrical Installation	39
5.4.1	Interfaces	39
	Laser head interfaces	39
	Supply unit interfaces	40
	Interlock connection	41
	Laser control interface	42
5.4.2	Connection	45
	Power connection	45
	Connection between the laser head and the supply unit	45
	Connection to the PC	45
5.5	Checking the Installation	46

6	Operation	47
6.1	Operating and Display Elements	47
	Operating elements	47
	Multi function display	47
6.2	Starting the Laser Marking Device	49
6.3	Handling	50
6.4	Fault Finding	50
6.4.1	General Faults	50
6.4.2	Specific Faults	52
7	Maintenance and Repair	54
7.1	Care	54
	Cleaning the objective	55
	Cleaning the ventilation slits	56
7.2	Maintenance, Repair	57
	Maintenance intervals	57
8	Scrap Disposal	58
9	Appendix	59
9.1	Saturation Vapour Pressure as a Function of the Temperature	59
9.2	EC Declaration of Incorporation	61
9.3	EC Declaration of Conformity	62
10	Index	63

Table of Contents

1 Introduction

Dear customer,

Thank you for the confidence which you have shown in us by purchasing our quality product. We would like to wish you every success with the use of the devices.

Make yourself familiar with these operating instructions before starting use. The operating instructions tell you how to use your new devices correctly and safely, and take you step by step through the actions which have to be performed before using it for the first time.

You will find more detailed information on the enclosed CD-ROM.

2 Important Information

Our products are developed and manufactured under strict quality monitoring to give a long and fault-free service life.

This guarantees:

- highest quality and a long life,
- easy and safe operation,
- functional design,
- optimization for the intended purpose.

The **DFL Ventus Marker** is a state-of-the-art device. The EC Declaration of Incorporation and the EC Declaration of Conformity confirm that the manufacturer has complied with the relevant directives. The CE symbol is located on the type plate.

The laser marking device contains a class 4 laser according to DIN EN 60825-1 "Safety of Laser Devices".

Should the operating company integrate the device as an OEM component into an existing installation, it shall bear the sole responsibility for fulfilling the standards and directives. This includes, for example, fitting it into a laser protection hood or integrating it into a production line.

The company operating the laser marking device is **obliged** to implement the safety measures arising from DGUV no. 11 "Laser Radiation" and from DIN EN 60825-4 "Safety of Laser Devices".

Please read these operating instructions carefully from the beginning in order to avoid errors and risks.

Reference is made to residual hazards at the relevant places in the operating instructions. Please also take note of the warning notice stickers on the device.

2.1 Intended Use

- The operating company is obliged to appoint a laser safety officer in accordance with para. 6 of DGUV no. 11 "Laser Radiation" to ensure that the relevant safety guidelines and standards are observed.
- The **DFL Ventus Marker** marking system is intended to be used exclusively for marking applications in conjunction with the associated **Magic Mark** software.
The performance parameters must be adapted to suit the properties of the materials to be marked.
- The laser marking device is intended for integration into installations or lines.
Please contact the manufacturer for information about other possible applications.
- Usage for the intended purpose includes observance of these operating instructions, the instructions in the software manual and the warning stickers on the device.
- The supplier/manufacturer shall not be liable for personal injury or material damage resulting from improper use of the laser itself or the safety devices.

2.2 Improper Use

All other uses other than use for the intended purpose, including that with other control software, shall be deemed to be improper use.

The laser marking device must not be used by:

- persons who have not read or understood these operating instructions,
- persons who have not been instructed in the proper operation,
- persons who are under the influence of alcohol and or drugs, or
- persons whose alertness is impaired by medicines or other influences.

The laser marking device must not be used:

- if the required protective devices have not been provided according to para. 4 of DGUV no. 11 "Laser Radiation",
- if protective/safety devices are bridged, defective or if they cannot reliably fulfil their function,
- if there is a suspicion that direct or leakage radiation can emanate.

2.3 Notices in the Document

Take note of the warning notices, take the specified actions and observe the prohibitions. A warning notice warns of a possible hazard and contains recommendations for preventing the hazard occurring. Key words indicate the type of hazard, symbols emphasize this visually.

Follow the stated measures for preventing hazards to the operator or tangible assets.

The following classification of dangers are used in these safety instructions:

DANGER

RISK OF DEATH OR SERIOUS INJURIES!

Indication of an imminent danger, which will result in death or serious injuries if the appropriate precautionary measures are not taken.

WARNING

DANGER OF INJURIES AND/OR RISK OF PROPERTY DAMAGE.

Indication of an immediately impending hazard which can cause serious injuries or property damage if the appropriate precautionary measures are not taken.

CAUTION

RISK OF PROPERTY DAMAGE.

Indication of a possible hazard which may cause damages of the equipment if the appropriate precautionary measures are not taken.

Additional information on working with the laser marking device and protection of the environmental are emphasised as follows:

NOTICE

Useful additional information and tips!

ENVIRONMENT

**Protect the environment!
Instructions for observing environmental protection regulations!**

2.4 Warranty

The manufacturer guarantees that the product does not have any manufacturing or material defects.

The warranty period shall be 12 months from the dispatch date in as far as no other contractual ruling has been made.

The scope of warranty is limited to the repair or replacement of the product supplied by the manufacturer.

The manufacturer is responsible for returning repairs under warranty to the customer, the customer is responsible for returning the device to the manufacturer.

The manufacturer does not accept any warranty,

- if the product has been damaged by incorrect handling or operation, or as a result of improper use,
- if seals on the device have been broken,
- for damage caused by use under unauthorized environmental conditions,
- for damage to the device if it is not returned in its original packaging,
- for damage to the fiber laser cable caused by incorrect handling, such as kinking or twisting,
- for consequential damage.

2.5 Technical Customer Service

ACI Laser GmbH
Steinbrüchenstraße 14
D-99428 Grammetal OT Nohra
Germany

Phone: +49 3643 4152-0
Fax: +49 3643 4152-77
service@ACI-Laser.de
www.ACI-Laser.de

NOTICE

The laser device may only be maintained and repaired by the manufacturer. Any manipulations on the device or breaking the warranty seal will void any claims under warranty.

3 Safety

3.1 Basic Safety Instructions



The following safety instructions have fundamental importance for the use of the laser marking device, and for its care and maintenance. They must always be followed and are only stated centrally here.

Functional safety

In order to realise functional safety, the laser marking devices of ACI product group, **Economy Fibre**, contain the safety module, "laser safety device" (hereinafter also referred to as SD). It is classed in category 3 and achieves performance level (PL) e according to the DIN EN ISO 13849-1 standard.

Characteristics according to DIN EN ISO 13849-1:

Performance level:	e
Category:	3
MTTF _d :	> 67 years
DC _{avg} :	mean (90% - 99%)

Based on the useful life of the shutter module (swivelling diaphragm), this module must be replaced after 14 years, at the latest, in order to maintain performance level e.

Laser class

As an OEM component, the **DFL Ventus Marker** is a class 4 laser marking device according to DIN EN 60825-1 "Safety of Laser Devices":

- The accessible laser radiation is very dangerous to the eyes and skin.
- Even diffuse, scattered laser radiation can be dangerous if the accessible radiation exceeds the class 1 threshold.
- Improperly used laser radiation may lead to a risk of fire or explosion.

The following measures must be taken in order to be able to categorize the **DFL Ventus Marker** as a class 1 laser device (accessible laser radiation is harmless:

- Ensure that the entire beam path to the work piece is shielded beam-tight.
- Those parts of the screening which can be removed without tools must be fitted with safety switches which interrupt the beam path before the laser beam leaves the device.
- Viewing windows (e.g. in the enclosure or the screening) must be fitted with laser protection glass appropriate for the wavelength and the laser power class.

The guidelines stated in DIN EN 60825-4 "Safety of Laser Devices" and DGUV no. 11 "Laser Radiation" must be implemented if the accessible laser radiation cannot be reduced to below the class 1 threshold values when the device is integrated into the installation.

Emissions

- If the design of the installation prevents the requirements for class 1 laser devices being fulfilled, the area around the laser system must be protected by
 - adjustable walls,
 - light signals and
 - warning noticesso that adequate notice is given of the danger before the area is entered.
- Install a second emission warning light in the view of the operator. During operation, this signals that the beam catcher (shutter) arranged in the laser beam path is open. The shutter consists of a screen which can be swivelled into the beam path, so interrupting the laser process.
- Chemical and physical reactions during the laser marking can cause
 - gases,
 - vapours,
 - aerosols,
 - dusts,
 - mists or

- other reaction products

to be given off from the material surface.

These may be toxic, depending upon the material being processed.

The operating company must therefore provide effective extraction. Information about this can be found, for example, in the VDI guideline 2262 1...3 "Air Quality in the Work Place".

- Please contact the manufacturer with regard to relevant accessories and protective equipment.

General

- Read the operating instructions and always keep them in an accessible place.
- Do not mark any easily flammable or combustible materials.
- The fiber laser cable can be damaged by incorrect handling.
Do not kink or twist cables, or roll them up too tightly.

Minimum kink radius 75 mm

Minimum loop length 1 m

Maximum distortion by 180 degrees

Initial start-up

- The ambient temperature must lie within the range of $> 15\text{ °C}$ and $< 35\text{ °C}$. The condensation temperature as a function of the momentary relative air humidity must be $< 20\text{ °C}$. You will find an instruction for estimating the momentary value in the appendix.
- Ensure that the relative air humidity does not exceed 85%.
- Never start the device immediately after large temperature changes. Condensation water may damage the device.
- Ensure that an adequate air supply can be provided at the location of the supply unit and that none of the vents are covered.
The vents must be clear and free of any residual packing material.
- Mount the laser head at the installation site in accordance with the regulations.
- Ensure that the shutter is active (closed) during the set up.

Safety

The main beam is simulated by a pilot laser.

The laser is not harmful to the skin. The eyes are protected by the natural blink reflex.

- Fiber laser cable can not be separated from the laser head!
Removing the fiber from the laser head leads to loss of the warranty!

Operation

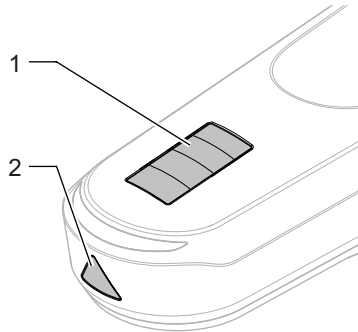
- The laser marking device may only be operated by trained personnel.
It is advisable to log both the initial training as well as the regular refresher courses.
- The device may only be operated when connected to an alternating voltage supply corresponding to the specifications on the type plate.
- The effectiveness of the protective conductor must be regularly checked and confirmed by an authorized skilled worker.
- If a defect occurs in the laser marking device, it must be disconnected from the power supply system and secured against being switched on again.

Maintenance/Care

- Maintenance and repair work on the laser device may only be performed by the manufacturer.
- The device must be disconnected from the power supply system before the covers are removed.
- Do not touch the electrical/electronic components. Capacitors could still be charged and so be under voltage.

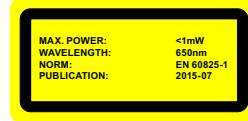
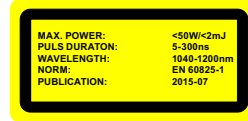
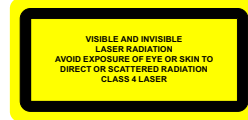
3.2 Labels at the Device

Warning notices



The warning notices on the device point out possible hazards from the laser and provide information about the basic performance data of the laser devices.

- On the top of the enclosure of the laser head (1):

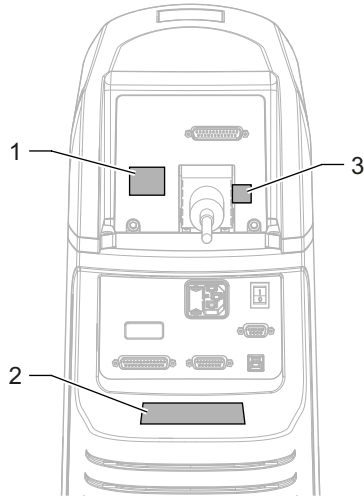


- On the beam outlet cover (2):



Safety

Type plates






The type plates on the rear side of the laser head (1 and 3) and the supply unit (2) contain information about:

- serial number,
- manufacturer,
- date of manufacturing,
- operating voltage/frequency range,
- power consumption and
- fuse for the device.

Small type plate (1) and plate with the serial number (3)

Model:	DFL Ventus MARKER
Serial Number:	2001VIII-0001
Manufacturer:	ACI Laser GmbH
Date of Manufacturing:	01/2020
Line Voltage:	100-240VAC, 50-60Hz
Max. rated Power:	550W
Fuse:	230V/2 x 2,5AT 110V/2 x 5,0AT





  

Vor Öffnen des Gehäuses Netzstecker ziehen!
Disconnect power before opening cover!
Avant d'enlever le capot débrancher l'appareil!

SN: 1709VIIQ-0112

Large type plate (2)

ACI Laser GmbH Steinbrüchenstraße 14 99428 Grammetal OT Nohra Germany phone: + 49(0)3643 4152-0 fax: + 49(0)3643 4152-77 www.ACI-Laser.de info@ACI-Laser.de	Model: Serial Number: Manufacturer: Date of Manufacturing: Line Voltage: Max. rated power: Fuse:	DFL Ventus Marker 2001VIII-0001 ACI Laser GmbH 01/2020 100-240VAC, 50-60Hz 550W 230V/2 x 2,5AT 110V/2 x 5,0AT
--	--	--

Vor Öffnen des Gehäuses Netzstecker ziehen!
Disconnect power before opening cover!
Avant d'enlever le capot débrancher l'appareil!

4 Description

4.1 Overview

The **DFL Ventus Marker** consists of a laser head and a supply unit.

NOTICE

The laser head and the supply unit are firmly connected by a fiber laser cable!

The laser head can be mounted directly on the supply unit or separately. The maximum distance is 3 m.

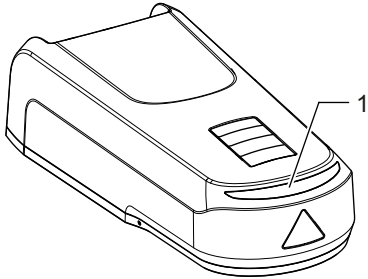
The following additional device features are optionally possible:

- internal camera
- external focus finder

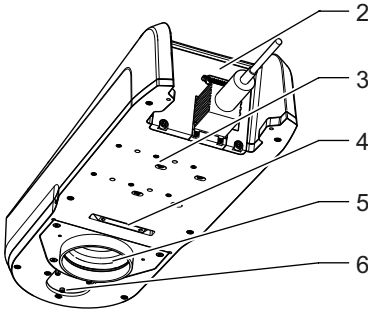
Description

4.2 Views of the Device

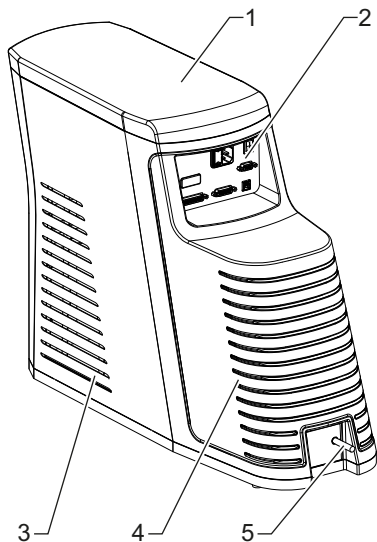
Laser head view



- (1) multi function display
- (2) interfaces
- (3) mounting surface
- (3) bolt-on point for the supply unit
- (5) objective (laser beam outlet)
- (6) focus finder



Supply unit view



- (1) enclosure
- (2) interfaces
- (3) side ventilation slits (air inlet), on both sides
- (4) rear ventilation slits (air outlet)
- (5) fiber laser cable connection

4.3 Intended Purpose

The object of marking a work piece is to produce a marking with the following properties:

- durability,
- high contrast,
- high resolution,
- minimal stress on the material and minimal change in its properties.

These requirements are optimally fulfilled by the **DFL Ventus Marker**.

The laser marking device is a highly-integrated marking system.

The device consists of the two assemblies supply unit and laser head, which are firmly connected by a fiber laser cable.

The supply unit includes:

- main power pack
- laser excitation
- laser chiller
- control electronics

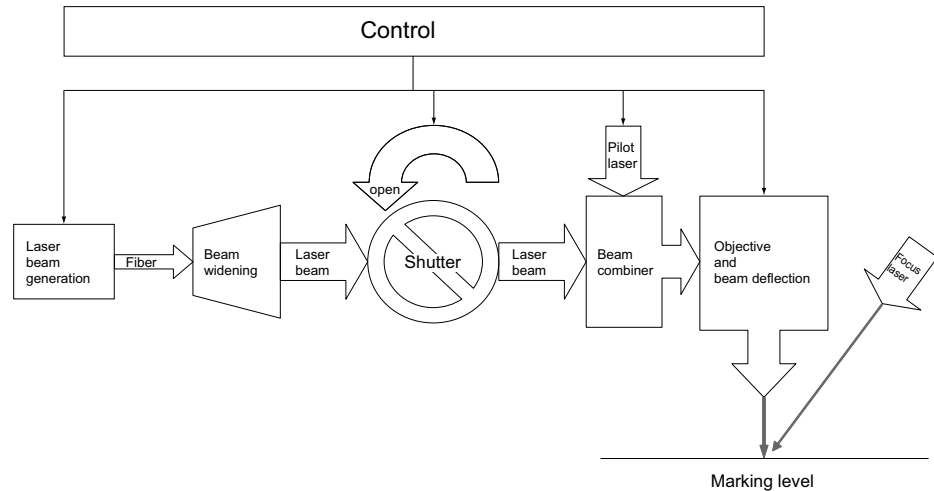
The laser head includes:

- beam shaping
- safety device (shutter)
- pilot laser lenses
- deflection unit

In contrast to other comparable systems, the **DFL Ventus Marker** guarantees:

- The easiest integration into existing production lines because of its small dimensions and low weight.
- Increased operational safety by the elimination of complex water-air cooling units.
- Minimizing the down times and maintenance costs by replacing the complete functional unit during maintenance and service work.

4.4 Principle of Operation



Description

The laser beam source integrated into the supply unit generates the laser radiation, which is transmitted to the laser head via a passive transport fiber. The laser beam generated in this way is widened in the laser head by a lens system, and then forms the working beam of the laser system. This working beam is combined with a pilot laser beam. The working beam and pilot laser beam reach the workpiece via the beam deflection and the focusing objective. A safety shutter integrated into the laser head enables the system to be installed for applications for laser protection class 1.

Fiber laser beam generation

The fiber laser is a special form of solid-state laser. The ytterbium-doped core of the glass fiber forms the active medium. The laser beam passed through the laser-active fiber is highly amplified on account of the long length.

Laser Safety Device (SD)

The laser safety device (SD) is the central safety module of the laser marking devices of the ACI product group, **Economy Fibre**. It meets the requirements for the safety feature according to the DIN EN ISO 13849-1 standard, performance level e.

The safety feature consists of the redundant control and continuous monitoring of the two output paths (diaphragm/shutter, protective relay) as well as continuous monitoring of the input paths (interlock circuits, ILK1 and ILK2). This ensures at all times that, in the event of error, emission of laser radiation due to opening of the interlock circuits is prevented.

Opening the interlock circuits will immediately cause the diaphragm to swivel into the beam path, thus interrupting the laser process.

In the event of the following errors:

- Exceeding the defined time period of 200 ms upon opening or closing the diaphragm,
- Short circuit or interruption of the interlock circuits,
- Exceeding the defined time period of 150 ms upon switching the two interlock circuits,
- Overvoltage or undervoltage in the SD power supply,
- Internal SD error

in addition to closing the diaphragm, the protective relay is switched off, thus disconnecting the entire laser marking device from the power supply. Only the laser electronics continues to be supplied with power, thus allowing communication with the user application; hence, display or analysis of the error cause.

A system that was switched off due to an error can be put into operation again only by switching it off and on again, provided that the error cause has been removed.

The SD checks all safety-relevant features upon switching on the laser marking device. Only in the absence of errors will the protective relay be activated, thus starting up the laser marking device. If the SD detects errors in the instant of switching on, then these will also be forwarded to the user application via the laser electronics.

Description

4.5 Technical Data

Laser device	Diode-pumped fiber laser (Yb: fiber), Q-switched
Operating mode:	pulsed
Wave lengths:	1064 nm \pm 5 nm
Laser power (maximum):	10 W/20 W/30 W/50 W, system dependent
Beam quality M^2 :	< 1.6/< 1.6/< 1.8/< 1.8
Peak power (maximum):	6.25 kW/12.5 kW/12.5 kW/12,5 kW
Pulse energy (maximum):	0.5 mJ/1 mJ/1 mJ/1 mJ
Pulse repetition rate:	20 - 80 kHz/20 - 80 kHz/30 - 80 kHz/50 - 80 kHz
Pulse length:	80 - 120 ns/80 - 120 ns/80 - 140 ns/100 - 140 ns, frequency dependent
Pilot laser:	650 nm, < 1 mW
Laser class:	4
Performance level:	e
Connection values	Power supply: 85 - 264 VAC/10 A/50 - 60 Hz
	Power consumption: 200 W/250 W/300 W/400 W
Interfaces	Power supply connection: cold device socket with micro fuse
	PC interface: USB 2.0
	Interlock connection: - dual-circuit interlock - SD-Ready
	Laser control interface for: - ready-to-operate message /fault alarm - external shutter warning light

		- 4 digital inputs - 4 digital outputs
Scan unit	Scanning speed:	< 10 m/sec
Focusing objectives (optional)	F-Theta 100	
	Spot diameter ⁽¹⁾ :	25 µm
	Marking field size:	60 mm x 60 mm
	Focus distance ⁽²⁾ :	132 ± 3 mm from lower edge of scan unit
	F-Theta 163	
	Spot diameter ⁽¹⁾ :	35 µm
	Marking field size:	110 mm x 110 mm
	Focus distance ⁽²⁾ :	200 ± 3 mm from lower edge of scan unit
	F-Theta 254	
	Spot diameter ⁽¹⁾ :	50 µm
	Marking field size:	180 mm x 180 mm
	Focus distance ⁽²⁾ :	327 ± 6 mm from lower edge of scan unit

(1) Deviations may occur with different materials.

(2) The exact value for distance is stated in the parameter file supplied with each device.

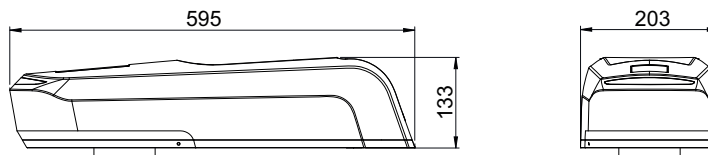
Description

Dimensions and weight

NOTICE

The laser head and the supply unit are firmly connected by the fiber laser cable!

Laser head



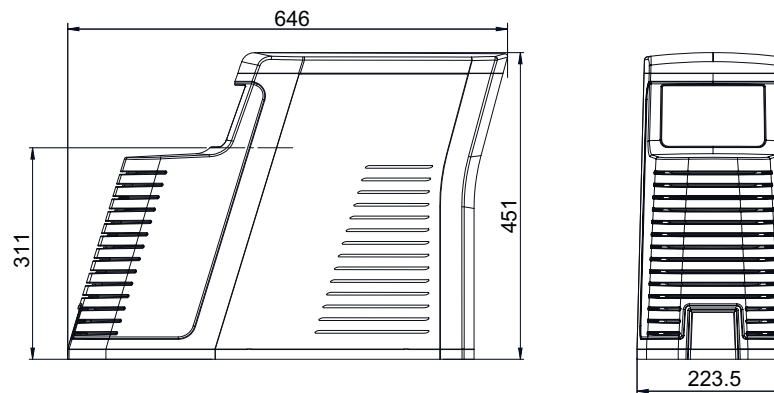
Length x width x height:

595 mm x 203 mm x 133 mm

Weight:

8 kg

Supply unit



Length x width x height:

646 mm x 224 mm x 451 mm

Weight:

20 kg

Operation and storage conditions

Operating temperature:

25 °C ± 10 °C

Storage temperature:

10 °C - 50 °C

Air humidity:

30% - 85%, without condensation

4.6 Scope of Delivery

- Laser head,
- supply unit,
- fiber laser cable of a length of 3 meters (connected with the laser head and the supply unit),
- supply cable (25-pin, sub-D),
- power cable,
- connecting cable for USB 2.0,
- 9-pin sub-D housing to wire the interlock connection,
- CD ROM with Marking Software,
- operating manual,
- software manual.

NOTICE

Check that the delivery is complete and undamaged. Please contact our service department if you have any queries.

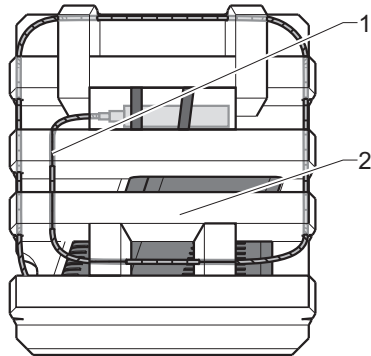
5 Installation

5.1 Unpacking

The laser marking device is delivered in a packaging which meets UPS "falling regulations".

From the inside outwards:

- laser device **DFL Ventus Marker** with the components: laser head, supply unit and fiber laser cable,
- foam grid,
- vacuum-tight, welded aluminium foil with desiccant,
- inner carton,
- foam corners,
- outer carton with accessories included in the scope of delivery.



1. Open the outer carton
2. Remove the laser marking device in its packing material and put it down in a safe place.
3. Open the top of the inner carton. When doing so, watch the labelling!
4. Open the foil packing and pull it off.
5. Carefully remove the fiber laser cable (1) from the foam grid (2) and lay it aside.

CAUTION

The fiber laser cable can be damaged by incorrect handling.

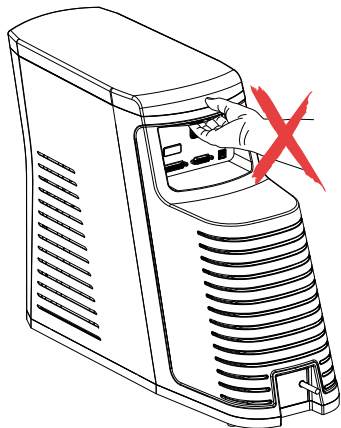
Do not kink or twist cables, or roll them up too tightly.

Minimum kink radius 75 mm

Minimum loop length 1 m

Maximum distortion by 180 degrees

Installation



6. Remove the foam grid.
7. Place the laser head and the supply unit on a flat surface.

CAUTION

Do not hold the supply unit by the edge above the interfaces.

8. Remove the accessories and place them down.
9. Check the scope of delivery for completeness.

NOTICE

Store the packaging material in a safe place in case the device has to be returned to the manufacturer under warranty for maintenance and repair work.

In such a case repack the laser marking device into its original packaging in the reverse order and seal it securely.

5.2 Mechanical Installation

The special design of the **DFL Ventus Marker** enables it be attached optionally either to the laser head on the supply unit or directly in a system. The distance to the supply unit is a maximum of 3 meters.

CAUTION

RISK OF MATERIAL DAMAGE!

The fiber laser cable can not be separated from the laser head!

CAUTION

The fiber laser cable can be damaged by incorrect handling.

Do not kink or twist cables, or roll them up too tightly.

Minimum kink radius 75 mm

Minimum loop length 1 m

Maximum distortion by 180 degrees

WARNING



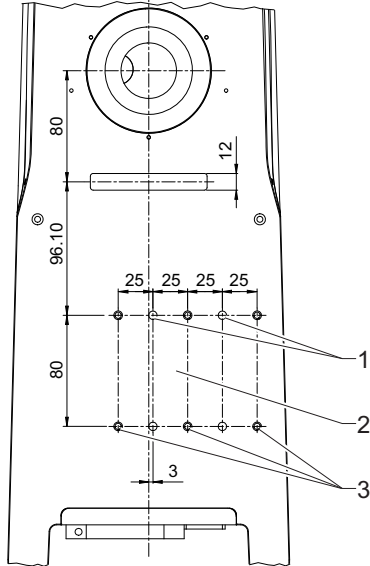
RISK OF PERSONAL INJURIES AND MATERIAL DAMAGE FROM LASER RADIATION!

All safety-related devices must be installed and their effectiveness proven before the system is started up. The acceptance must be performed by the laser safety officer and recorded in writing.

For safety reasons, the laser must not be activated until all the above-mentioned conditions have been fulfilled.

Installation

Assembly of the laser head to the plant



The mounting surface (2) on the underside of the laser head is used to attach it mechanically to a system.

The position of the bore holes (measured in mm) for

- M6 fixing screws (3) with washers/ tooth lock washers
- dowel pins (1) $\varnothing 6$ H7

can be seen in the drawing on the left.

In each case it is attached by four screws and two pins.

NOTICE

The above-mentioned standard parts are not included in the scope of delivery. Take note of the maximum screw depth of 8 mm.

The length of the bearing surface on the system side should be at least 100 mm.

⚠ CAUTION

RISK OF DAMAGING THE OBJECTIVE!

Depending on the mounting position of the laser head, the objective must be protected against dirt by suitable measures, for example by installing an extraction unit!

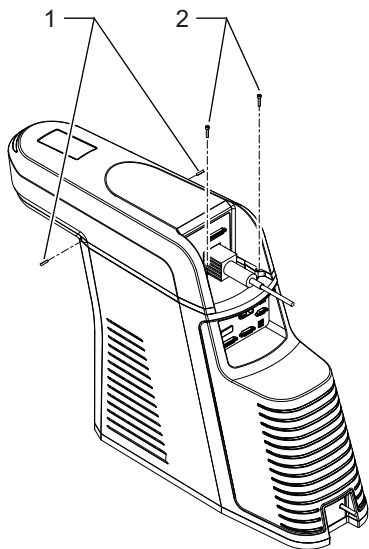
⚠ CAUTION

RISK OF DAMAGING THE OBJECTIVE!

Leave the protective cover on the objective throughout the entire installation.

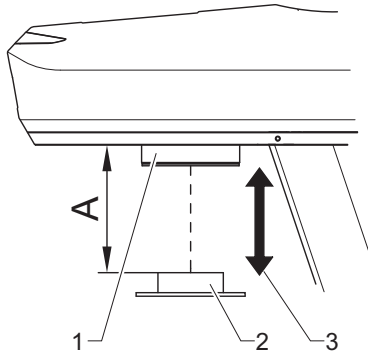
Assembly of the laser head to the supply unit

1. Take off the enclosure from the supply unit.
2. Put on the laser head.
3. Fixate the laser head by hand tightening the two setscrews (1).
4. Screw in the two screws (2).



Installation

Focusing



NOTICE

A defined distance between the objective of the scan head and the work piece must be set in order to focus the laser beam optimally on the surface of the work piece.

The distance (A) between the lower edge of the scan unit (1) and the surface of the work-piece (2) depends upon the type of objective used:

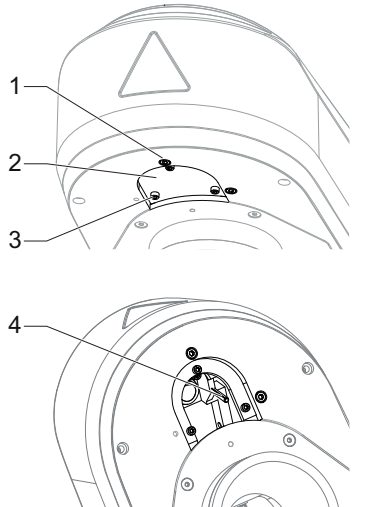
- F-Theta 100: $A = 132 \pm 3$ mm
 Marking field size: 60 mm x 60 mm
- F-Theta 163: $A = 200 \pm 3$ mm
 Marking field size: 110 mm x 110 mm
- F-Theta 254: $A = 327 \pm 6$ mm
 Marking field size: 180 mm x 180 mm

NOTICE

The exact value for distance (A) is stated in the parameter file supplied with each device!

The availability of a suitable height adjustment (3) is a useful aid when focusing.

Adjusting the focus finder



If focus finder and pilot laser do not coincide, the focus finder can be readjusted with the aid of the two adjustment screws (1).

If the lens has been changed, the focus finder must be adjusted accordingly:

1. Remove the 3 screws (3) and remove the protective window (2), under which the focus finder is accessible.
2. The position of the focus finder can be changed by means of the sleeve (4) in 3 latching steps.
The steps are matched to the available lenses.
3. Insert the protective window (2) again and fasten with the screws (3).
4. Fine-tune with the two adjustment screws (1).

5.3 Marking Software Installation

- Minimum hardware requirements**
- PC with 64 bit operating system Windows 7 or 10,
 - CD ROM drive,
 - 1 free USB 2.0 interface,
 - monitor with 1280 x 1024 pixels,
 - keyboard, mouse.

If necessary, you will receive this additional information from the manufacturer.

Installation

1. Start the PC.
2. Ensure that the above-mentioned operating system is installed on your PC.
3. Insert the CD labelled with **Magic Mark** into your CD drive.
4. Open the **Magic Mark** folder in Explorer with a double click.
5. Start the Setup file with a double click.
6. Follow the instructions of the installation program.
The **Setup Complete** message appears when the installation has finished.
7. Confirm by pressing the **ENTER** key.
8. Restart the PC.

NOTICE

You will find detailed instructions for configuring the marking system in the Software Manual.

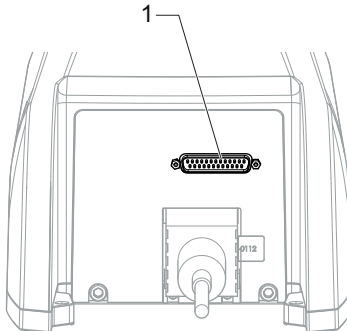
5.4 Electrical Installation

5.4.1 Interfaces

⚠ WARNING

DANGER OF INJURIES AND/OR RISK OF PROPERTY DAMAGE.
The device interfaces may only be connected to the plant by an electrician in cooperation with a laser safety officer!

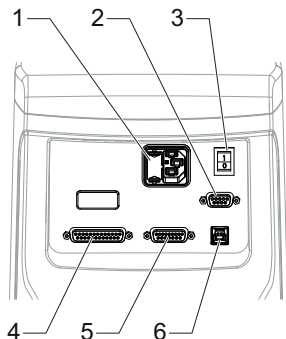
Laser head interfaces



- (1) supply cable connection (to the supply unit)

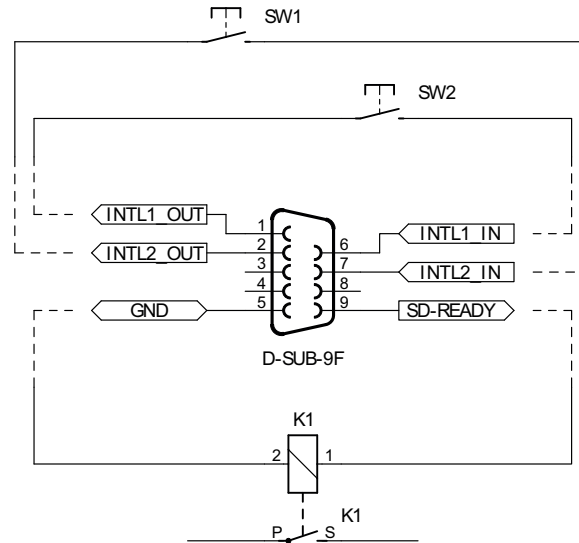
Installation

Supply unit interfaces



- (1) power input module with cold device plug socket and micro fuse drawer
- (2) interlock connection, 9-pin, sub-D
- (3) power switch
- (4) supply cable connection (to the laser head)
- (5) laser control interface, 15-pin, sub-D, panel socket as an interface to the plant
- (6) USB 2.0 interface used for communication between control PC and laser marking device

Interlock connection



Interlock circuit 1 and 2

Pin 1, pin 6 INTL1_OUT, INTL1_IN
external interlock circuit 1

Pin 2, pin 7 INTL2_OUT, INTL2_IN
external interlock circuit 2

In order to integrate the laser marking device into an external, dual-channel, safety circuit, 2 potential-free independent safety switches must be wired between pin 1/6 and pin 2/7 (see image).

Installation

To this end, it must be ensured (mechanically) that both switches reliably within a period of 150 ms.

Alternatively for the use of potential-free safety switches, it is possible to use a safety relay based on Performance Level e with appropriate wiring in accordance with the manufacturer's specifications.

Please use a shielded, four-wire cable with a wire cross-section of at least $4 \times 0.5 \text{ mm}^2$ to connect the interlock circuits and connect the diaphragm located on the plug connector of the laser marking device to connector housing and earth (pin 5).

Pin 9 **SD-READY**
24 V, max. 100 mA, short-circuit proof

Pin 5 **GND**
Reference for SD-READY

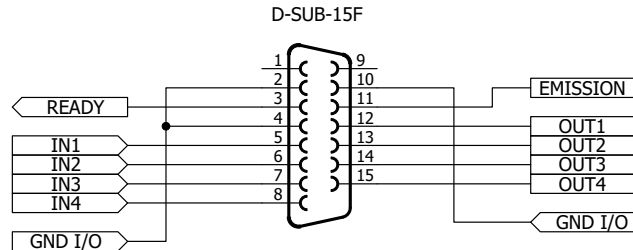
When the laser safety device (SD) is ready for operation, pin 9 carries 24 V against pin 5. Connecting a suitable indicator light or a switching element allows readiness for operation and absence of errors in all safety-relevant components to be signalled to the user, respectively the overriding control.

For connection, please use a shielded, two-wire cable with a wire cross-section of at least $2 \times 0.5 \text{ mm}^2$ and connect the diaphragm located on the plug connector of the laser marking device to connector housing and earth (pin 5).

If possible, the end points of connected cables should also be connected to earth, respectively earth potential (protective conductor).

Laser control interface



The laser control interface is a 15-pin, 2-row sub-D panel socket. Depending upon the application case, the laser control interface may be wired by the user.



External emission light

Pin 11 **EMISSION**
 24 V, max. 200 mA, fused by poly fuse.

Pin 11 carries 24 V when the shutter is open.
 The connected emission warning light signals danger from laser radiation.

 WARNING	
	<p>DANGER OF INJURIES AND/OR RISK OF PROPERTY DAMAGE FROM LASER RADIATION!</p> <p>Wiring this output is specified for operation in accordance with a class 4 laser.</p>

Laser ready

Pin 3 **READY**
 24 V, max. 200 mA, fused by poly fuse.

This output produces a summation signal of all possible error states. The output is set when all components function within normal parameters and the laser is ready for operation.

This signal can be processed both optically and electronically. This output is an essential aid, particularly for use in production lines.

Inputs and outputs

Pin 5 to 8	IN1 to IN4 24 V, 3.5 mA Control inputs for PLC connector
Pin 12 to 15	OUT1 to OUT4 24 V, max. 0.5 A electronically protected, short-circuit proof, inductive loads may be connected. There is an internal freewheel diode.
Pin 2, 4, 10	GND I/O Reference for all 24 V inputs and outputs as well as READY and EMISSION

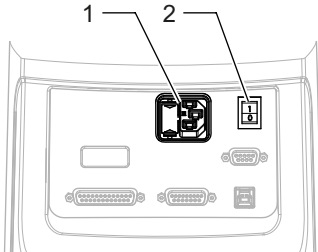
The inputs can be queried during a marking cycle and so start a marking job. The freely programmable outputs can, for example, be used to indicate the end of an inscription. Please refer to the software manual for information concerning the processing of signals by the marking software.

NOTICE

Current limitation: There is a common limit to the current for all outputs. If the maximum permissible current (0.55 A) is exceeded, all the outputs are switched off (see page 53, Overload I/O).

5.4.2 Connection

Power connection



1. Ensure that the device power switch (2) is switched off.
2. Connect the supplied power cable to the power input module (1) of the supply unit.
3. Connect the power cable to an earthed socket.

Connection between the laser head and the supply unit

Connect the laser head to the supply unit by the supply cable.

Connection to the PC

1. The marking software must be installed.
2. Connect the USB interface of the laser marking device to the PC.

NOTICE

The laser control interface must be correspondingly wired.

5.5 Checking the Installation

 **CAUTION**

RISK OF PROPERTY DAMAGE.
Perform the following tests to avoid material damage.

Please check the following points again before you bring your laser system into operation.

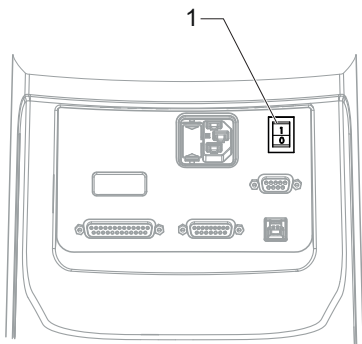
- Have the mechanical and electrical installations been performed correctly and completely?
- Are all the cables plugged in correctly, in particular the connecting cables between the laser head and the supply unit?
- Has the fiber laser cable been laid according to specifications?
- Does the fuse for the device correspond to the available operating voltage (110 V: 5 A, 2x or 220 V: 2.5 A, 2 x)?
- **Have you removed the protective cover from the focusing objective?**
- Is the focusing objective clean and dust-free?
- Do the environmental conditions meet the requirements (temperature, air humidity)?
- Are all the vents open?
- Is there an adequate fresh air supply to the laser device?
- Are you familiar with the essential laser protection regulations? Have all the laser safety measures been taken?
- Has the laser safety officer accepted the installation?

6 Operation

6.1 Operating and Display Elements

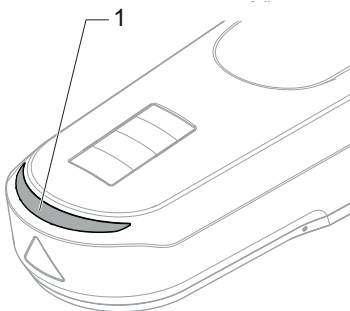
Operating elements

The laser marking system just has a power switch (1) near the power input module.

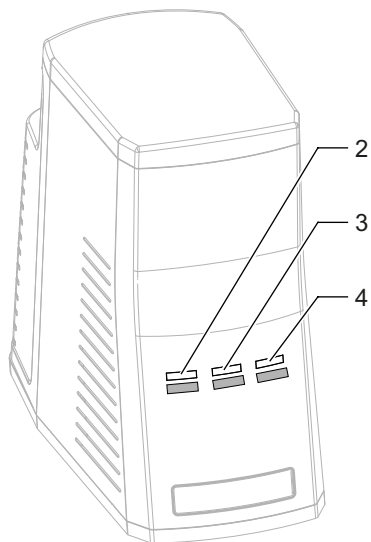


Multi function display

Can the current operating status of the laser marking device be seen on the multifunction display (1) of the laser head and the function indicator on the supply unit with the elements: Power, dark blue (2), Ready, orange (3) and Emission, yellow (4).



Operation



Multi function display of the laser head	Supply unit function indicator	Condition	Meaning
Dark blue	Power Dark blue flashig	Offline	Laser initialising
Dark blue	Power Dark Blue	Offline	Device switched on, Software not started or no communication
Dark yellow	Power Dark Blue	Off	Communication exists, Laser not activated
Dark green with pale yellow flash	Power Dark Blue	On (not ready)	Laser activated, not yet ready for operation
Dark green	Power Dark Blue Ready orange	On (ready)	Laser activated, ready for operation
Dark green with pale yellow light running down on both sides	Power Dark Blue Ready orange Emission yellow	Emission	Device runs
Pale yellow flashing	---	Warning	Warning, but device continue to run
Bright red flashing	Power Dark Blue	Error	Fault, device disabled, all power levels switched off electronically, see Troubleshooting

6.2 Starting the Laser Marking Device

NOTICE

Keep to the switching sequence on each start.

1. Start the control PC.
2. Wait until the operating system has completely loaded.
3. Switch on the device power switch.

NOTICE

The interlock circuits must be open when switching on the device.

Follow the Windows installation instructions during the initial commissioning.
The main power pack supplies the supply voltages required.
The laser is not yet ready for operation.

4. Start the marking software.
The laser and scanner control, and the galvanometer are then initialized.

NOTICE

**The marking software starts in demo mode if it is not possible to communicate with the laser marking device.
The same happens if the software is started before the marking device.
You will find more detailed information on the software manual.**

6.3 Handling

The laser marking device is operated via the marking software.

All operating sequences are controlled from the control PC via the laser control interface. All the parameters are exclusively entered on the keyboard of the control computer.

NOTICE

Detailed information for using the marking software is contained in the software manual provided.

6.4 Fault Finding

6.4.1 General Faults

Problem/Fault	Possible cause	Elimination
Error message when loading the marking software	Marking software incorrectly installed	Reinstall the software.
No communication	USB cable incorrectly connected	Check whether the cable is plugged in correctly.
	No supply voltage	Check whether your laser is supplied with power.

Problem/Fault	Possible cause	Elimination
Laser cannot be started	Cable incorrectly plugged	Check that the cable is seated properly.
	Interlock circuits closed	Open the interlock circuits (must always be open upon system start-up).
	SD error	Start the marking software and check status / error reports in the status bar, respectively in the message window, to receive detailed information.
No laser beam	Shutter closed	Check whether all safety switches are locked. Check whether the shutter is opened in your marking job.
	Defocusing	Check the focus position by changing the distance between focusing objective and work piece.
	Incorrect laser parameters	Check your laser parameters, they may not be suitable for the work piece to be marked.
	Supply cable not mounted	Plug in the supply cable.
Laser power too low	Defocusing	Check the focus position by changing the distance between focusing objective and work piece.
	Incorrect laser parameters	Check your laser parameters, they may not be suitable for the work piece to be marked.
Laser does not pulse	Incorrect laser parameters	Check the laser parameter settings, the laser may be working in cw operation.

Problem/Fault	Possible cause	Elimination
Laser switches off automatically	Environmental conditions do not meet the specifications	Check the environmental conditions. Keep to the environmental conditions required.

NOTICE

Please contact our Technical Customer Service in the first instance if the fault cannot be eliminated as described above.

6.4.2 Specific Faults

The **Magic Mark** marking software monitors the laser device for possible faults and provides the user with status messages about the state of individual system components.

The messages are displayed in the **Messages** system windows on the monitor.

Condition/Fault	Trigging component	Message	Evaluation via software
Error +/-15V, <13V >-13V	Head Control	ERROR 15V	Display
Error +/-15V, <13,5V >-13,5V	Head Control	WARNING 15V	Display Warning
Interlock circuits closed during the starting process	Laser Safety Device	SD WARNING interlock closed during startup	Display Warning
Interlock circuits open during current labelling	Laser Safety Device	SD WARNING interlock opened during operation	Display Warning
Shutter fault	Laser Safety Device	SD shutter ERROR	Display + Cut Off
Interlock fault	Laser Safety Device	SD interlock ERROR	Display + Cut Off

Condition/Fault	Trigging component	Message	Evaluation via software
SD undervoltage	Laser Safety Device	SD ERROR internal undervoltage	Display + Cut Off
SD error	Laser Safety Device	SD internal ERROR	Display + Cut Off
Overload I/O	Laser Interface F	ERROR Overload I/O	Display + Cut Off
Laser over temperature	Laser Interface F	ERROR Over temp. Laser	Display + Cut Off
BDO not plugged	Scan Head F	ERROR BDO	Display + Cut Off
Laser head over temperature	Scan Head F	ERROR Overtemp. Shutter	Display + Cut Off
Beam source error	Beam source	Laser-Q MO_ERROR	Display + Cut Off

An overview of the further possible messages and their meaning can be found in the software manual.

7 Maintenance and Repair

7.1 Care

Perform the following care activities on the device at regular intervals.

- Clean the objective.
- Clean the ventilation slits of the covers.

 **WARNING**



DANGER OF INJURIES AND/OR RISK OF PROPERTY DAMAGE.
Ensure that the power plug has been pulled out before starting the cleaning tasks!

Cleaning the objective

A dirty objective reduces the transmission of the laser radiation. This leads to a reduction of the laser power on the work piece. The dirt can burn into the surface and damage the focusing objective. A protecting glass is therefore fixed in front of the objective by means of a threaded ring.

NOTICE

The warranty does not cover any damage caused by inadequate or improper cleaning.

Make a regular visual inspection of the focusing objective/protecting glass. Clean the protecting glass if any dirt is found (and the objective if necessary). Only cleansers which are authorized for high-quality optics may be used for this purpose.

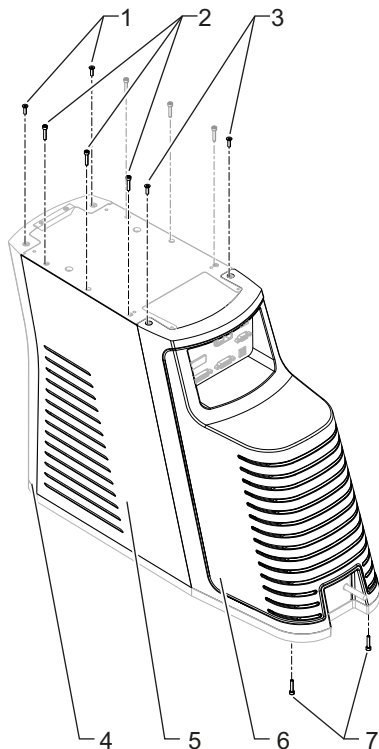
- Never attempt to remove particles of dirt from the surface with compressed air.
- Use a suitable lens cleaning paper and ethanol of optical purity standard.
- Moisten one side of the cleaning paper. Do not touch the moist side under any circumstances.
- Draw the paper slowly in one direction over the protective glass/focusing objective.
- Remove any ethanol residue with a dry paper if necessary.
- Repeat the procedure until the surface is completely clean. Use a new cleaning paper each time.

NOTICE

Suitable cleansers can be obtained from the manufacturer.

Maintenance and Repair

Cleaning the ventilation slits



Cleaning the ventilation slits regularly is a prerequisite for faultless operation of the device. Remove the two side covers and the rear cover to clean the ventilation slits on the supply unit.

NOTICE

**Air is sucked in through the side air slits.
If ambient air is heavily polluted, we recommend inserting and regularly changing filter mats in the side covers.
Suitable filter mats can be obtained from ACI Laser GmbH.**

1. Take off the enclosure.
2. Remove the two fixing screws (3) from the top of the supply unit and the two screws (7) from the bottom.
3. Pull the rear cover off the device.
4. Remove the three screws (2) from each of the two side covers (5).
5. Remove the side covers.
6. Remove the 2 fixing screws (1) and remove the front cover (4) from the device. Watch out for the cable, remove it if necessary.
7. Clean the ventilation slits of the cover with a dry or slightly damp cloth. Do not use any solvent for cleaning them.
8. Ensure that the covers are completely dry before reclosing the device.
9. Remount the covers in the reverse order.

NOTICE

**Slide the cover onto the device so its fits exactly.
Screw the fixing screws in hand tight.**

10. Check the electrical connections before bringing the device back into operation.

7.2 Maintenance, Repair

The laser device does not contain any parts which can be maintained or repaired by the user.

All maintenance and repair work must be performed exclusively by the manufacturer. The right to claim under warranty is lost as soon as third parties work on or modify the device.

The manufacturer has suitable test benches and routines to maintain your laser system optimally.



RISK OF PROPERTY DAMAGE.

During the warranty period, use the original packaging exclusively when dispatching the defective device.

Maintenance intervals

- Seek advice from the Customer Service of the manufacturer as to when your laser marking device should undergo maintenance. This depends on the specific use and duration.
- In order to maintain Performance Level e, the shutter assembly (swivel shutter) must be replaced no later than 14 years.

8 Scrap Disposal

ENVIRONMENT

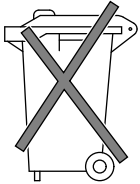
Protect the environment!

For a fee, the customer will accept return of the laser device and dispose of it properly in a manner that is environmentally compatible.

Environmentally sensible disposal of electrical and electronic equipment!

Electrical and electronic equipment contains valuable materials that should be supplied to recycling or recovery.

Please dispose of electrical and electronic equipment at qualified collecting points separate from municipal waste.



9 Appendix

9.1 Saturation Vapour Pressure as a Function of the Temperature

t [°C]	p _d ' [mbar]
15	17.04
16	18.17
17	19.36
18	20.63
19	21.96
20	23.37
21	24.86
22	26.42
23	28.08
24	29.82
25	31.66

t [°C]	p _d ' [mbar]
26	33.60
27	35.64
28	37.79
29	40.04
30	42.42
31	44.91
32	47.54
33	50.29
34	53.18
35	56.22

To estimate the condensation temperature T_k , you need:

- T_u ambient temperature
- T_C internal temperature of the laser marking device = 20°C = const
- φ air humidity

Example calculation ($T_u = 25\text{ °C}$, $\varphi = 0,65\%$)

Proceed as follows:

1. Determine the saturation vapour pressure p'_d ($p'_d = 31,66\text{ mbar}$) in the table for $t = T_u$
2. Calculate the vapour pressure $p_d = \varphi * p'_d$ ($p_d = 0.65\% \times 31.66\text{ mbar} = 20.58\text{ mbar}$)
3. Determine the value $t = T_K$ ($T_K = 18\text{ °C}$) associated with p_d in the table = 20.63 (nearest value).

The following applies as a rule:

For $T_k < T_c$ or $T_k < 20\text{ °C}$

there is no risk of condensation on the laser components.

9.2 EC Declaration of Incorporation

This is to declare that the partly completed machine, based on its design and type of construction and in the version put on the market by us, conforms to the following fundamental requirements as defined in Directive 2006/42/EC on machinery.

Anhang I, Artikel 1.1.2, 1.1.3, 1.1.5, 1.1.6, 1.1.1, 1.2.4.1, 1.3.2, 1.5.1, 1.5.2, 1.5.8, 1.6.3, 1.7

In addition, this partly completed machine conforms to the provisions set forth in Directive 2014/30/EC on electromagnetic compatibility and Directive 2011/65/EU on hazardous substances (RoHS) and the harmonized standard EN 50581:2012.

In the event of any alteration to the partly completed machine or the intended purpose which has not been approved by us, this statement shall thereby be made invalid.

Device:

Marking laser

Type:



Applied EC directives and standards:

- Directive 2006/42/EC on machinery
- EN ISO 12100:2010
- EN ISO 13857:2008
- EN 349:1993+A1:2008

- EN 60204-1:2006+A1:2009
- EN ISO 13849-1:2015
- EN 60825-1:2015-07

Representative for compiling technical documents:

Mirko Wunderlich, Steinbrüchenstraße 14, 99248 Grammetal OT Nohra

Signed on behalf of the manufacturer by:

Nohra, 2019-02-01

ACI Laser GmbH
Steinbrüchenstraße 14, 99428 Grammetal OT Nohra

Mirko Wunderlich
Geschäftsführer

Commissioning is prohibited until it has been determined that the machine which the device is to be installed complies with the provisions of the directive on machinery.

The manufacturer is obligated to send the specific documentation for the partially completed machine to the appropriate national authority in electronic form on request.

Declaration of Conformity according to the Electromagnetic Compatibility Directive 2014/30/EC on the following page.

9.3 EC Declaration of Conformity

We herewith declare that the machine described below, by virtue of its design and construction and moreover in the type brought onto the market by us, conforms to the relevant safety and health requirements of the applicable EU Directives.

In the event of any alteration to the device or the intended purpose which has not been approved by us, this statement shall thereby be made invalid.

Device:

Marking laser

Type:



Applied EC directives and standards:

Electromagnetic Compatibility Directive 2014/30/EC
Directive 2011/65/EU on Hazardous Substances (RoHS)

EN 55016-2-1:2014-12
EN 55016-2-3:2014-11
EN 61000-3-2:2015-03
EN 61000-3-3:2014-03
EN 50581:2012

Representative for compiling technical documents:

Mirko Wunderlich, Steinbrüchenstraße 14, 99248 Grammetal OT Nohra

Signed on behalf of the manufacturer by:

Nohra, 2019-02-01



ACI Laser GmbH
Steinbrüchenstraße 14, 99248 Grammetal OT Nohra

Mirko Wunderlich
Geschäftsführer

10 Index**A**

Air humidity	59
Air inlet	21
Air outlet	21
Ambient temperature	15, 59
Assembly	33
Laser head to the plant	34
Laser head to the supply unit	35

B

Beam path	14
Beam quality	26

C

Care	16
Cleaning	54
Cleansers	55
Condensation temperature	15, 59
Connection between the laser head and the supply unit	45
Connection to the PC	45
Connection values	26
Customer service	12

D

Date of manufacturing	18
Defect	16
Demo mode	49
Dimensions	28
DIN EN 60825-1	13
DIN EN ISO 13849-1	13

E

EC Declaration of Conformity	62
EC Declaration of Incorporation	61
EMISSION	43
Emission light	43
Emission warning light	14
Emissions	14
Enclosure	21
Extraction	15

F

Fault finding	50
Fiber laser beam generation	24
Fiber laser cable connection	21
Filter mats	56
Focus finder	20
Adjustment	37
Focusing	36
Focusing objectives	27
Frequency range	18
F-Theta	36
Function indicator	47
Functional safety	13
Fuse protection	18, 46

H

Height adjustment	36
Humidity, relative	15

I	
Improper Use	9
Initial start-up	15, 33
Inputs	44
Installation	14
Check	46
Electrical	39
Marking Software	38
Mechanical	33
Instructions	16
Intended use	8
Interfaces	20, 26
Interlock circuit	41
Interlock connection	26, 40, 41
L	
Laser class	13, 26
Laser control interface	26, 40, 42
Laser device, technical data	26
Laser head	22
Interfaces	39
View	20
Laser power	26
Laser power class	14
Laser protection hood	7
Laser ready	43
Laser safety device	13, 24
Laser safety officer	8
Lens type	36
Liability	8

M

Magic Mark	8
Maintenance	16, 54, 57
Maintenance intervals	57
Manufacturer	18
Manufacturer address	12
Marking job	44
Marking Software	
Installation	38
Marking software	49
Mounting surface	20
Multi function display	20, 47

O

Objective lens	20
Operating company	7
Operating elements	47
Operating mode	26
Operating voltage	18, 46
Operation	16
Operation beam	24
Operational state	47
Outputs	44

P

PC interface	26
Peak power	26
Performance level	13, 26
Pilot laser	26
Power connection	26, 45
Power consumption	18, 26

Power input module	45
Power switch	40, 45, 47
Principle of operation	23
Production line	7
Pulse energy	26
Pulse length	26
Pulse repetition rate	26
R	
READY	43
Repair work	16, 54, 57
Residual hazards	8
S	
Safety feature	24
Safety switch	14
Saturation vapour pressure	59
Scan unit	27
Scanning speed	27
Scope of delivery	30
Scrap disposal	58
SD	13
SD-READY	42
Serial number	18
Shutter	14
Software	8
Status message	52
Storage conditions	29
Supply cable	40

Supply unit	22
Interfaces	40
View	21
Switching on the device	25
Switching sequence	49
T	
Technical data	26
Type plates	18
U	
Unpacking	31
USB 2.0 interface	40
V	
Ventilation slits	21
Cleaning	56
Vents	46
W	
Warning notices	17
Warranty	57
Wave lengths	26
Wavelength	14
Weight	28

Operating Instructions for **DFL Ventus Marker**
Economy Fibre

Article number: 10001207

Version: EN 02/2019-02

ACI Laser GmbH
Steinbrüchenstraße 14
D-99428 Grammetal OT Nohra

Phone: +49 3643 4152-0

Fax: +49 3643 4152-77

info@ACI-Laser.de

www.ACI-Laser.de