

VISOR® V50 Robotic Professional, C-Mount

Vision sensor for object detection, presence check, completeness check, measurement and positioning tasks

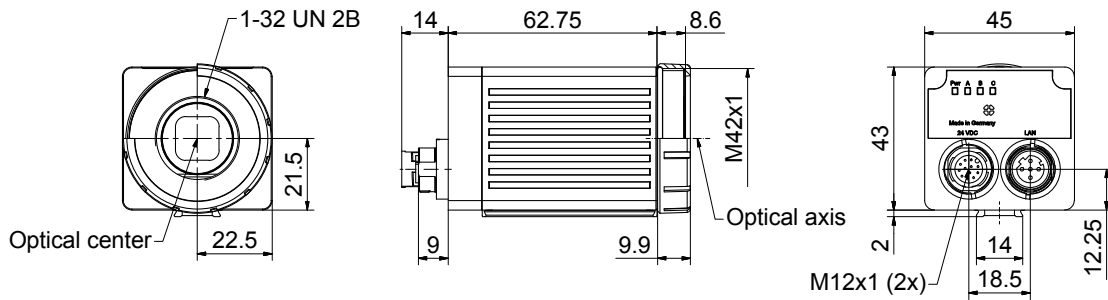


PRODUCT HIGHLIGHTS

- Calibration methods for robotics applications
- Detectors for position determination
- Result offset 3D for direct gripper point transmission to robot
- Offset of work plane
- Can be used for all common 2D codes (ECC 200 data matrix) , common 1D bar codes and OCR

Optical data		Functions	
Resolution	2560 x 1936 Pixel	Number of jobs / detectors	max. 255 / max. 255
Imaging chip CMOS	1/1.8", monochrom / color	Detectors	Position tracking: X/Y and orientation; Pattern matching, contour, 3D contour : teach-in and detection of patterns and contours; Calliper : distance between edges; BLOB, grey threshold, brightness : evaluation of brightness; Contrast : evaluation of contrast
Integrated lens, focal length [mm]	C-Mount		Barcode : reading 1D bar codes, EAN, UPC, RSS, 2/5 Interleaved, 2/5 Industrial, code 32, code 39, code 93, code 128, GS1, pharm code, codabar; Datacode : reading 2D codes: ECC200, QR code, GS1, PDF 417; OCR reading of fonts; Result processing: Text, Math : checking and calculating with results from detectors
Pixel size	2.8 µm x 2.8 µm		
Focus	Manual		
Adjustment range	Dependent on lens		
Integrated illumination	None		
Minimum field of view, X x Y	Dependent on lens		
Target laser	No		
Electrical data		Mechanical data	
Operating voltage, +U _B	18 ... 30V DC ²	Dimensions	70,4 x 45 x 45 mm (without plug)
Current consumption (without I/O)	≤ 300 mA	Enclosure rating	IP 67 & IP 65 ³
Protective circuits	Reverse-polarity protection, U _B / short-circuit protection of all outputs	Material, housing	Aluminium, die-cast, RoHS compliant
Power On Delay	Approx. 13 s after Power on	Material, front screen	Plastic
Outputs	PNP/NPN (switchable)	Ambient temperature: operation	0 ... +50 °C ⁴
Max. output current (per output)	50 mA, 100 mA (pin 12)	Ambient temperature: storage	-20 ... +60 °C ⁴
Switching threshold inputs incl. encoder	PNP/NPN	Weight	Approx. 200 g
Input resistance	High > U _B -1V / Low < 3V	Plug connections	Supply and I/O M12, 12-pin Ethernet M12, 4-pin
Interfaces	> 20 kΩ	Vibration resistance	EN 60068-2-6
Inputs/outputs	Ethernet (LAN), EtherNet/IP, PROFINET, SensoWeb, Service Port	Shock resistance	EN 60068-2-27
Encoder	2 inputs, 2 outputs, 6 selectable inputs/outputs		
	✓		

¹ Color hardware ² max. ripple < 5V_{SS} ³ only with protective casing ⁴ 80 % air humidity, noncondensing

VISOR® vision sensor C-Mount


153-13555

3



Part number	Article number
LPTVxx-G37.5	651-01006
LPTVxx-25.0	651-01007

	LOC-08-HD-30.5x0,5	LOC-12-HD-27x0,5	LOC-16-HD-27x0,5	LOC-25-HD-27x0,5	LOC-35-HD-27x0,5	LOC-50-HD-27x0,5	LOC-75-HD-34x0,5
Focal length	8 mm	12 mm	16 mm	25 mm	35 mm	50 mm	75 mm
Article number	526-51535	526-51536	526-51537	526-51538	526-51539	526-51540	526-51541

Part number	Article number	Accessories
V50-RO-P3-C-2	635-91040	Connection cables
V50C-RO-P3-C-2	635-91043	Illumination
		Lenses
		Brackets
		Interface accessories
		From Page A-46
		From Page A-33
		From Page A-28
		From Page A-4
		From Page A-53